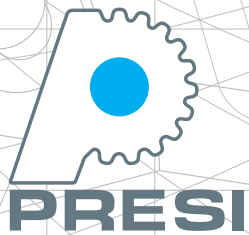
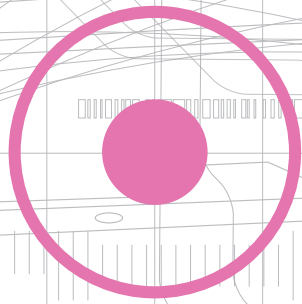
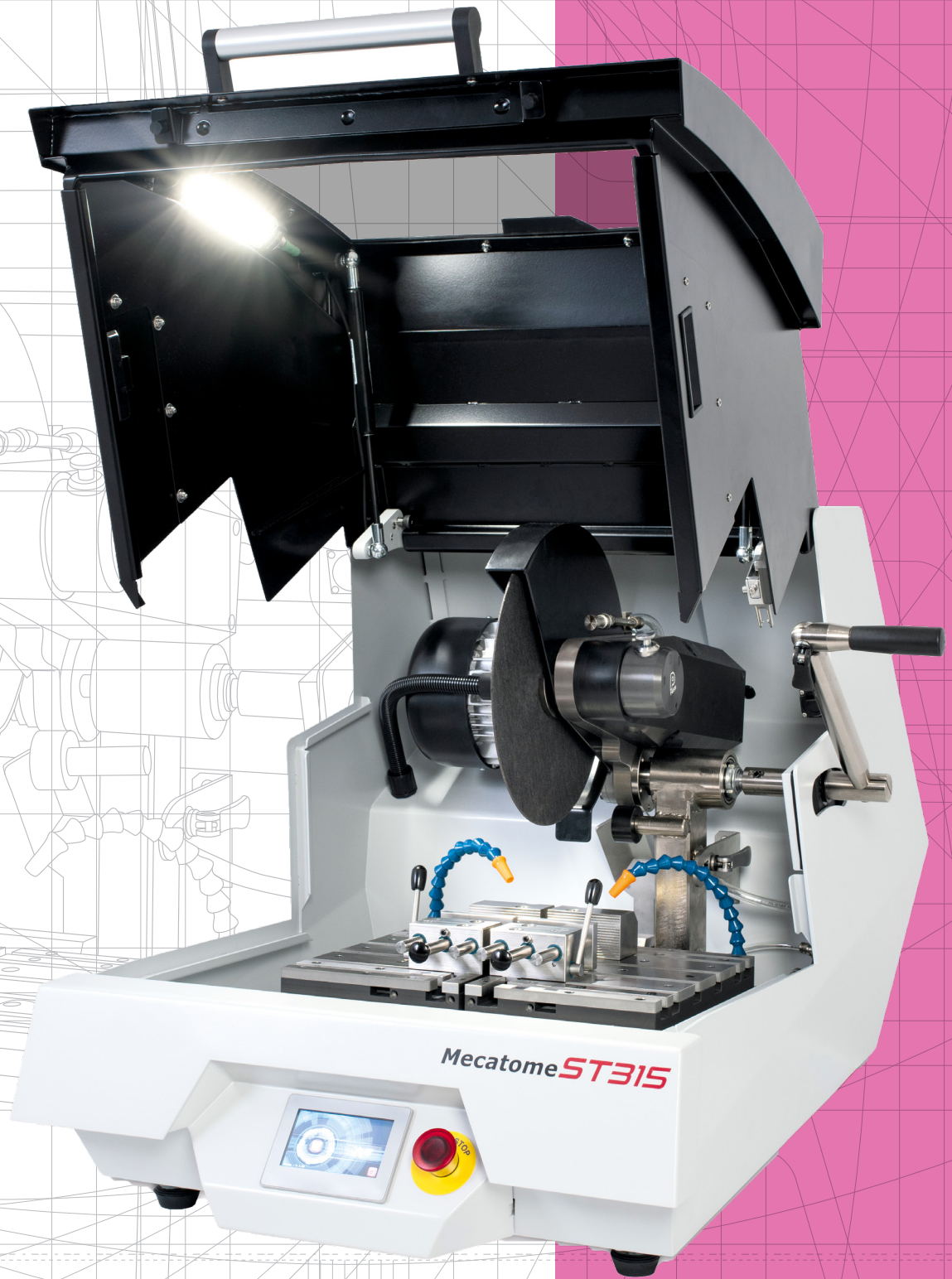


# MECATOME ST315



 CUTTING

MECATOME ST315  
Ref. 50230



# MECATOME ST315

## MANUAL CUTTING MACHINE WITH SWING MOVEMENT

Robust and powerful, the MECATOME ST315 accepts cutting discs of Ø250 & Ø300mm. Its rotation speeds ranging from 1000 to 4000 RPM allow the use of metallic discs as well as resinoids. Its stainless steel pallet table is compatible with all clamping systems on the market and its plunge and swing cutting movement make it the ideal machine for fast cutting with time savings of up to 60%.

### Robustness

- Mechanically welded steel cover and PETG protective glass
- Stainless steel cutting chamber
- Epoxy paint

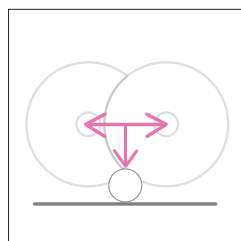
### Working comfort & power

- Tool-less cut-off wheel change
- Clamping table with interchangeable stainless steel pallets
- Guided evacuation system for residual drops
- Concealed screws for easy cleaning
- Light integrated into the hood:
  - Anti-glare
  - Optimal lighting of the working area
- Cleaning gun



### Swing movement function

- with ergonomic handle



### Controls & Safety

- Programmable color touch screen
- Visualization of motor load
- Calculation of anti-rust concentration adjustment
- Braked stopping of the cut-off wheel
- Mechanical locking of the hood during operation
- Zero speed check before unlocking
- Emergency stop button
- CE marking

### Lubrication close to the cut area

- Wheel guard including 2 lubrication points
- Two adjustable lubrication points
- Two additional lubrication points on the table



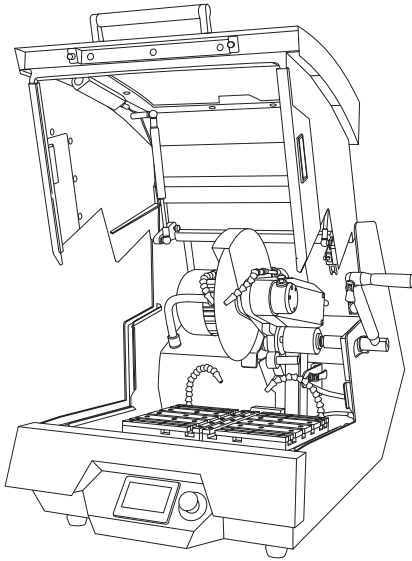
### Stability

- Adjustable, anti-vibration feet

### 55 L filtration tank

- Double filtration system: mechanical & magnetic (optional)

## MECATOME ST315



↑ 710mm closed lid  
1130mm open lid

↔ 720mm

↘ 975mm

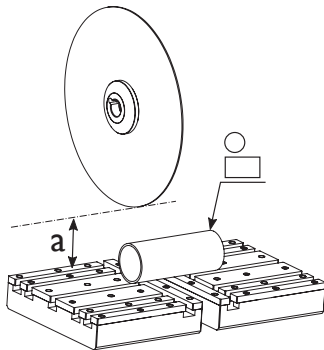
📦 160kg

## CUTTING ENVELOPE\*

Ⓐ = 130mm (cut-off wheel Ø300mm)

○ = Ø105mm

□ = 210 x 50mm



\* This illustration of the cutting envelope is to show the maximum theoretical capacity only. The actual capacity may be increased, depending on sample material, cutting frequency and selected flanges.

## CHARACTERISTICS MECATOME ST315

### HOOD

Type	Metal Frame & PETG Stainless steel cutting chamber
Safety	Mechanical locking of the hood during cutting Braked stopping of the cut-off wheel Zero speed check before unlocking the hood
Fumes extraction	Option: mist extraction with fluid recovery

### MOTORISATION - POWER SUPPLY

Power	3700W
Motor	Asynchronous motor controlled by frequency inverter
Power supply	400V - Three-phase - 50/60Hz

### CUT-OFF WHEEL

Kind of the cut-off wheel	Resinoid & Metallic
Size of the cut-off wheel	from Ø250 à Ø300mm
Rotation speed	1000 to 4000 RPM
Arbor size	25,4mm

### CONTROL

Control interface	Touchscreen Visualization of the motor load
Security access	Can be activated

### CUTTING

Cutting modes	Manual, swing movement
Distance between cut-off wheel and table	130mm (with Ø300mm cut-off wheel)
Table type	Treated aluminum table, interchangeable stainless steel pallets
Holders	T-slotted table (12mm) accepting all commercial clamping systems

### LUBRICATION - COOLING

Type of lubrication	By pump, flow rate 70 L/min
Recirculation tank	External - Capacity 55L
Type of filtration	Washable 100µm cloth filter, optional magnetic filter
Method of directing pumped coolant	2 lubrication points integrated in cut-off wheel guard Two orientable lubrication points

### ERGONOMICS

Internal lighting	LED lighting integrated into the hood (IP 68)
Spray nozzle for cleaning	Integrated
Cutting disc change	Tool-less cut-off wheel changing system
No-load sound level	< 70 dB

## OPTIONS



### MAGNETIC FILTER

For 55L tank  
Ref. 50222



### SUCTION & EXTRACTION

Mist extraction with fluid recovery  
Ref. 51273



# ACCESSORIES

## STAINLESS STEEL VICES & CLAMPING SYSTEM



**Straight left quick clamping vice height 45mm + rear jaw**  
Ref. 50236



**Straight right quick clamping vice height 45mm + rear jaw**  
Ref. 50235



**Kopal clamp**  
Ref. 50616  
**Kopal kit**  
Ref. 50613

## TABLES & POSITIONING



**Manual transversal table**  
Ref. 50244

## OTHER ACCESSORIES



**Kit of v positioning supports**  
Ref. 50370



**Base cabinet for manual cutting machine (small model)**  
Ref. 51275



**Analogical refractometer BRIX 0-10**  
Measure the concentration of the anti-rust coolant  
Ref. 19074

# CONSUMABLES

## RESINOID CUT-OFF WHEELS

	REF.	ABRASIVE	Ø
<b>Ferrous materials</b>			
S	01016	Al <sub>2</sub> O <sub>3</sub>	Ø 250 x 1,6 x 32mm
	01022	Al <sub>2</sub> O <sub>3</sub>	Ø 300 x 2 x 32mm
AO	01014	Al <sub>2</sub> O <sub>3</sub>	Ø 250 x 1,6 x 32mm
	01020	Al <sub>2</sub> O <sub>3</sub>	Ø 300 x 2 x 32mm
A	01015	Al <sub>2</sub> O <sub>3</sub>	Ø 250 x 1,6 x 32mm
	01021	Al <sub>2</sub> O <sub>3</sub>	Ø 300 x 2 x 32mm
AOF II	01012*	Al <sub>2</sub> O <sub>3</sub>	Ø 250 x 0,8 x 32mm
	01013	Al <sub>2</sub> O <sub>3</sub>	Ø 250 x 0,8 x 32mm
	01019	Al <sub>2</sub> O <sub>3</sub>	Ø 300 x 1 x 32mm
<b>Non-ferrous materials</b>			
MNF	01017	SIC	Ø 250 x 1,6 x 32mm
	01023	SIC	Ø 300 x 2 x 32mm
T	01071	SIC	Ø 250 x 1,6 x 32mm
	01072	SIC	Ø 300 x 2 x 32mm
F	01018	SIC	Ø 250 x 1,6 x 32mm
	01024	SIC	Ø 300 x 2 x 32mm

\* Cut-off wheel "S".

## METALLIC CUT-OFF WHEELS

	REF.	Ø
<b>Hard ferrous materials</b>		
CBN	02043	Ø 250 x 1,2 x 32mm
	02047	Ø 300 x 1,2 x 32mm
<b>Ceramic &amp; non-ferrous materials</b>		
DIAMOND LR	02045	Ø 250 x 1,2 x 32mm
	02049	Ø 300 x 1,2 x 32mm
DIAMOND LM	02042	Ø 250 x 1,2 x 32mm
	02046	Ø 300 x 1,4 x 32mm
DIAMOND LM+	02044	Ø 250 x 1,2 x 32mm
	02048	Ø 300 x 1,4 x 32mm
<b>Composit &amp; plastic materials</b>		
DIAMOND ELD	02105	Ø 250 x 1,8 x 25,4mm
	02106	Ø 300 x 1,8 x 25,4mm

## REDUCTION RINGS\*

REF.	DESIGNATION	Ø
<b>Pack of 20</b>		
01089	Reduction ring	32/25,4 mm x 2mm
01092	Reduction ring	32/25,4 mm x 3mm

\* Other diameters on request.

## ANTIRUST COOLANT

REF.	DESIGNATION
01025	1L bottle
01090	5L drum
01026	10L drum

## ANTIFOAM AGENT

REF.	DESIGNATION
01094	1L bottle
01095	5L drum
01096	10L drum

## ANTISEPTIC LIQUID

REF.	DESIGNATION
01093	500CC bottle
01097	1L bottle
01098	5L drum